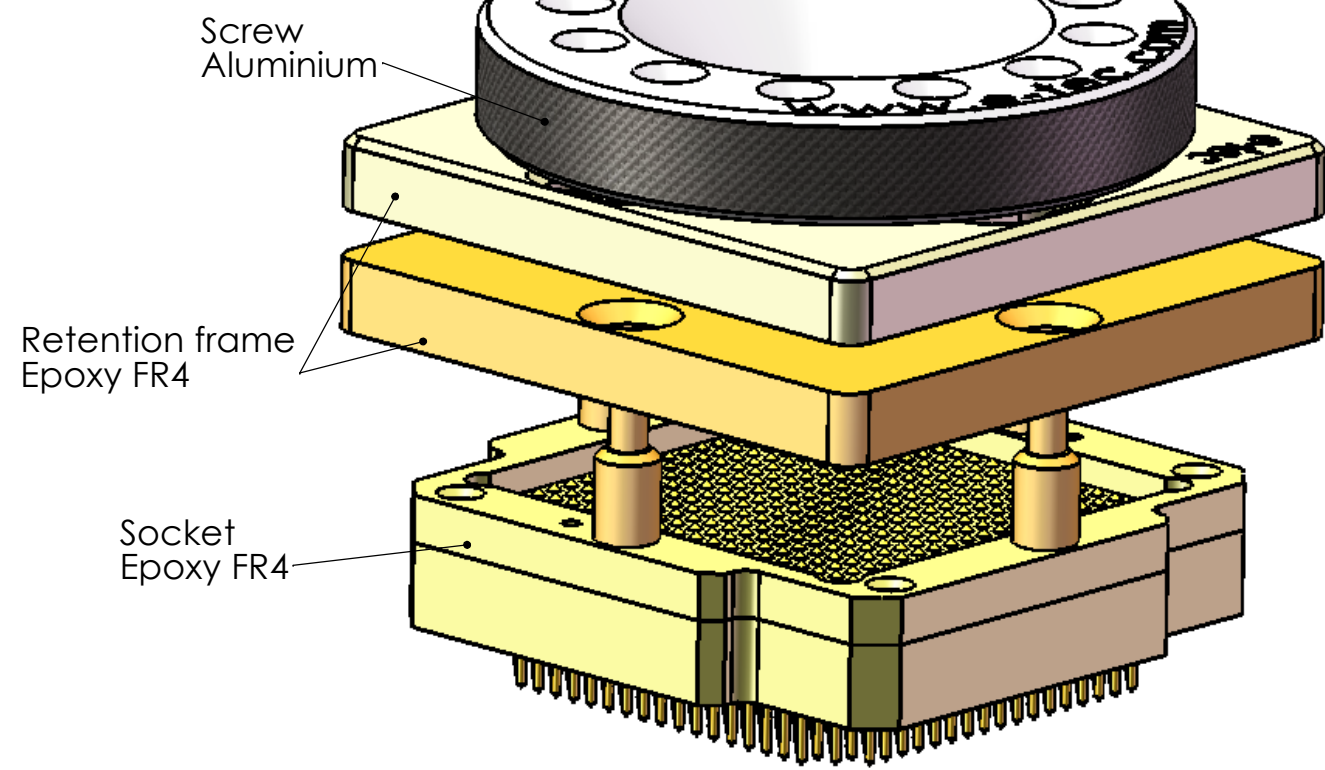


Retention frame



UNLESS OTHERWISE SPECIFIED: DIMENSIONS ARE IN MILLIMETERS SURFACE FINISH: GENERAL TOLERANCES ISO 2768m		Remark: LGA FastLock socket, 429 pins, Pitch 1.27mm, matrix 21x21 Retention frame, Basic system 21 code AB=RF with opening 19.5x19.5			<b>E-tec</b> <a href="http://www.e-tec.com">www.e-tec.com</a> Interconnect	
<b>Patented</b>		Visa	Date	Drawn by	Date	Visa
DRAWN		sme	24.06.2009	sme	24.06.2009	
CHK'D						
APP'V'D		sme	24.06.2009	Echelle: 3:1		Designed and manufactured by <a href="http://www.happ.ch">www.happ.ch</a>
				MATERIAL:		"E-tec code"
The information contained in this drawing is proprietary to Etec and shall not be reproduced or disclosed in whole or in part or used for any design or manufacture except where such user possesses direct, written authorization from Etec				WEIGHT:		<b>LPF429-1270-21AB95</b> A3H
						"Production code"
						<b>LPF0429-12-09705-21ABA</b> 0
						Revision
						SHEET 1 OF 1