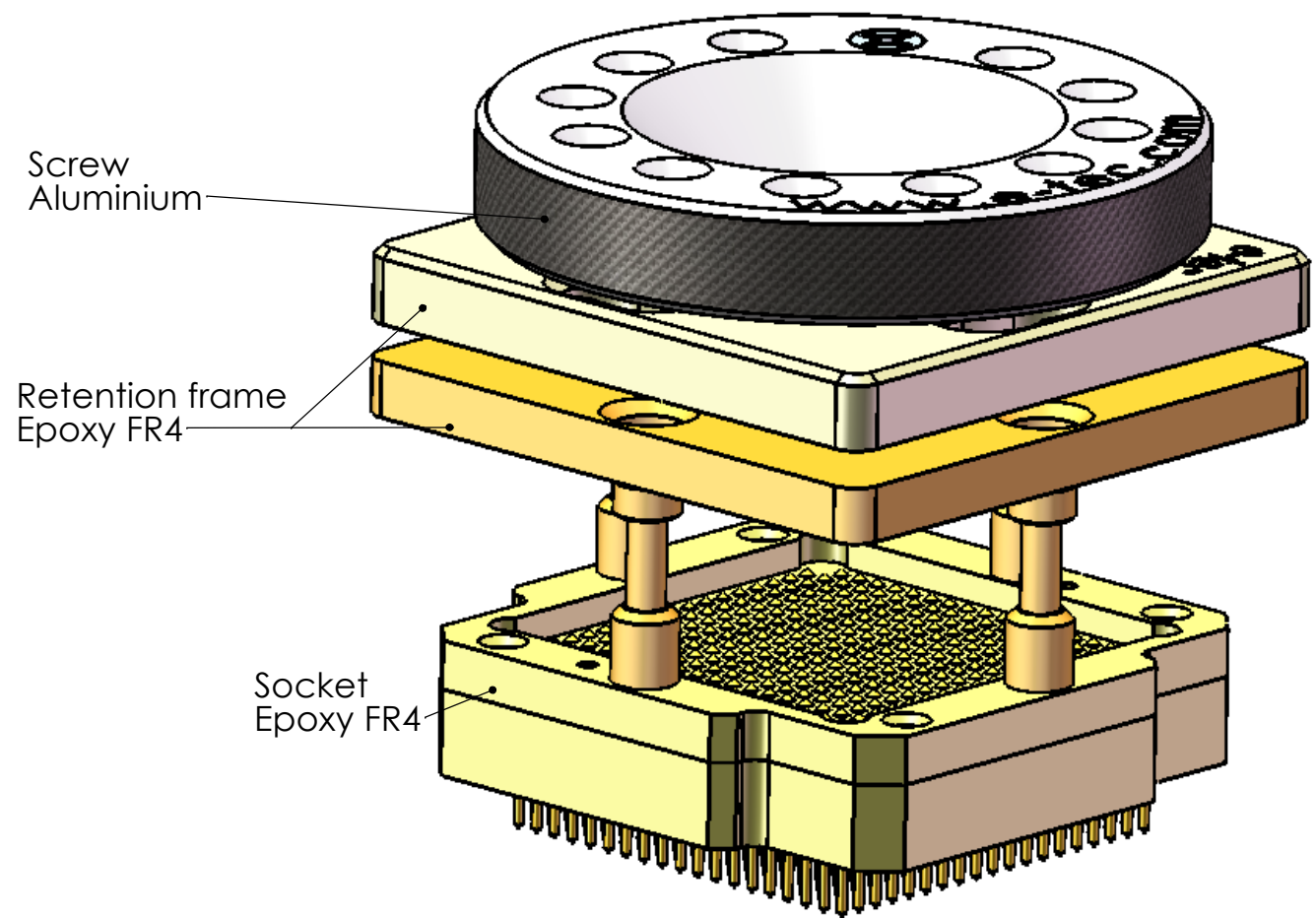

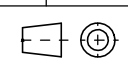
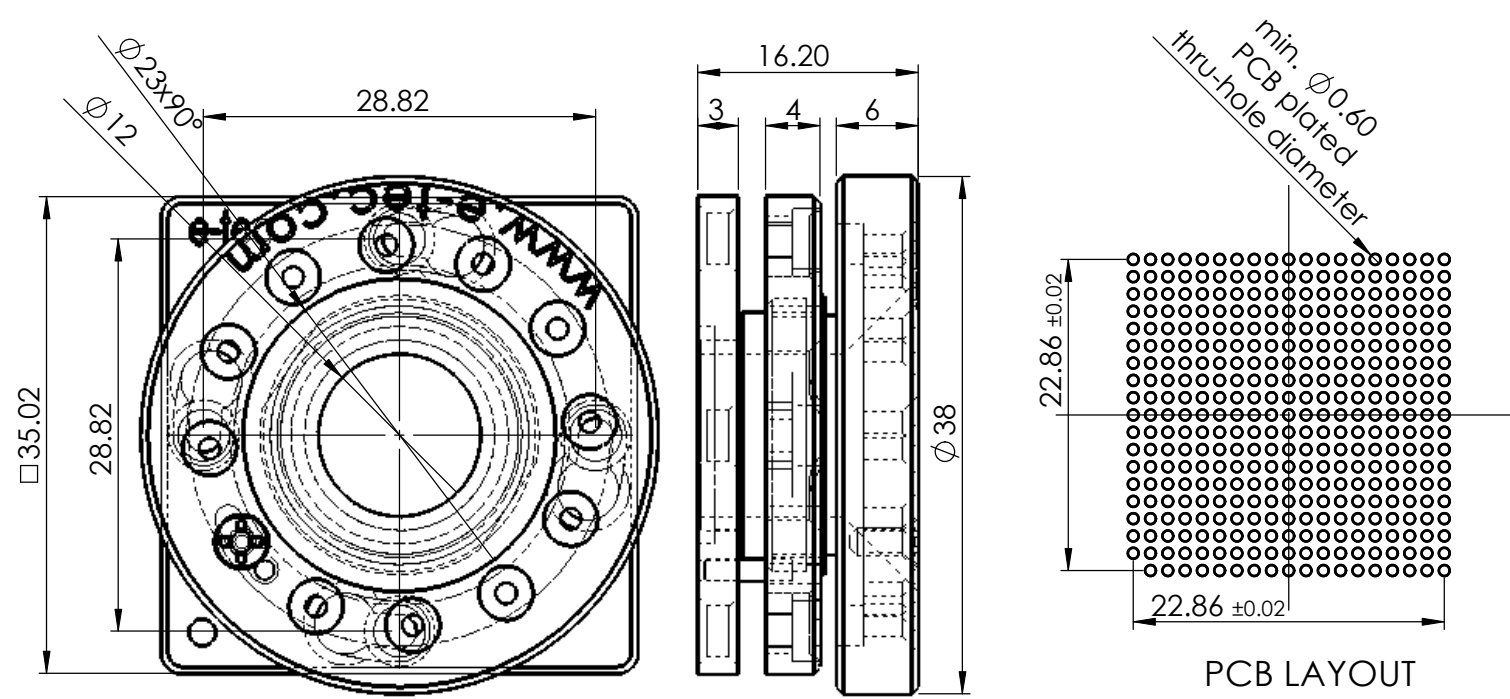
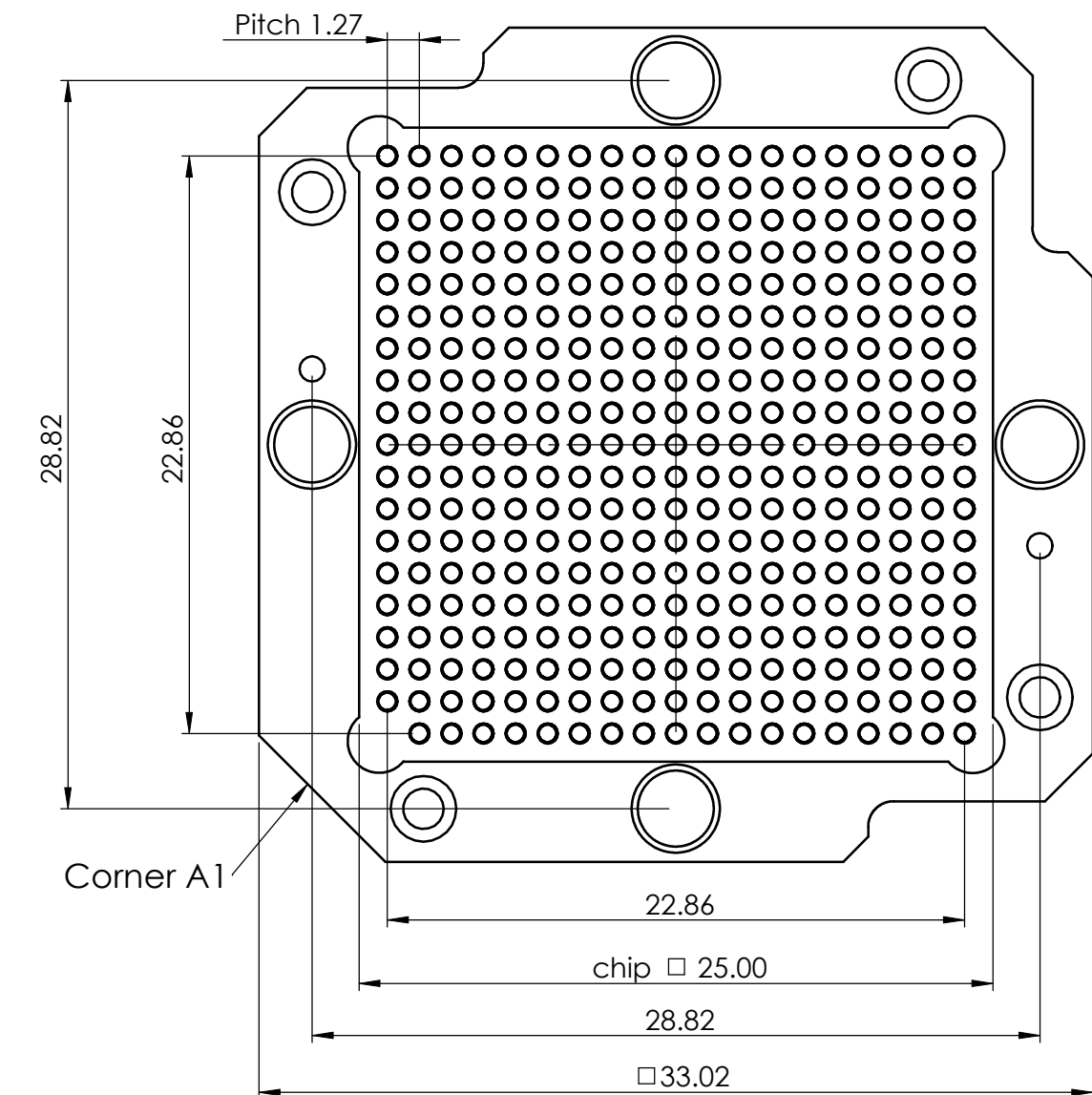
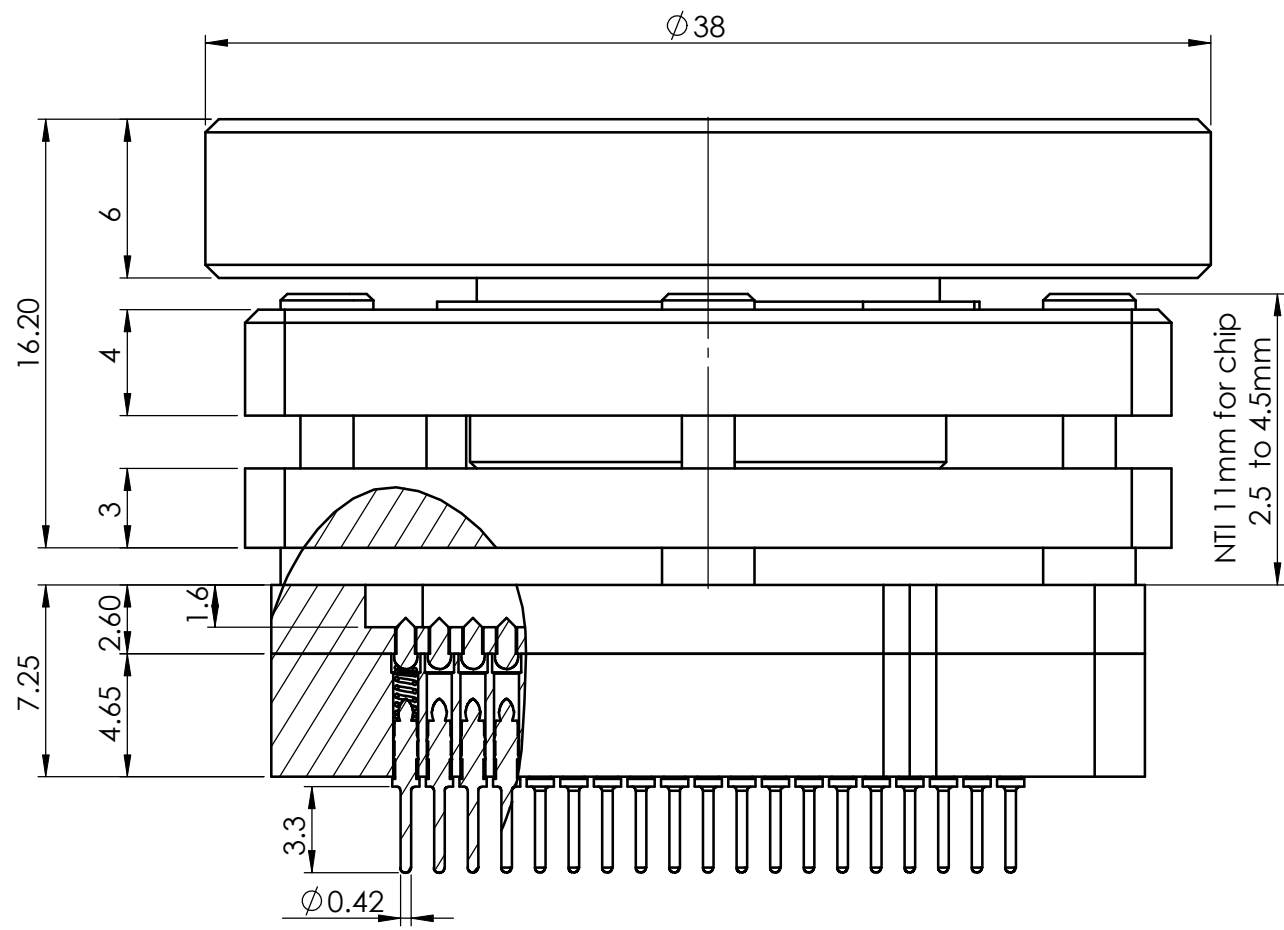


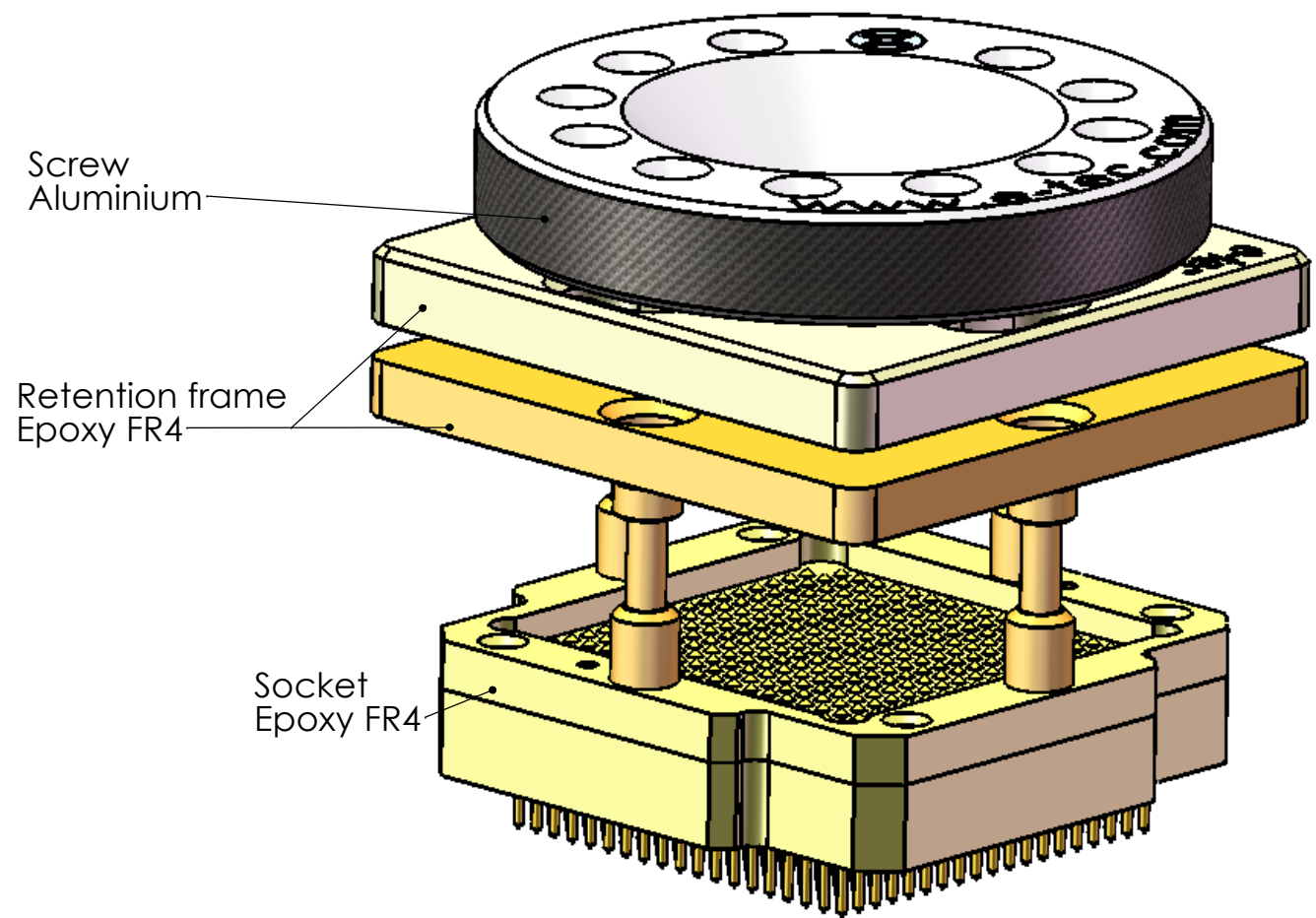
RETENTION FRAME



UNLESS OTHERWISE SPECIFIED: DIMENSIONS ARE IN MILLIMETERS SURFACE FINISH: GENERAL TOLERANCES ISO 2768m		Remark: LGA FastLock socket, 360 pins, Pitch 1.27mm, matrix 19x19 Retention frame, Basic system 19			 E-tec Interconnect www.e-tec.com	
Patented		Visa	Date	Drawn by	Date	Visa
DRAWN		sme	30.09.2009	sme	30.09.2009	
CHK'D						
APPV'D		sme	30.09.2009	Echelle: 3.5:1		Designed and manufactured by www.happ.ch
				MATERIAL:		"E-tec code"
The information contained in this drawing is proprietary to Etec and shall not be reproduced or disclosed in whole or in part or used for any design or manufacture except who such user possesses direct, written authorization from Etec				WEIGHT:		LPF360-1270-19AA95 A3H
						"Production code"
						LPF0360-12-09705-19AAA 0
						Revision
						SHEET 1 OF 2



RETENTION FRAME



UNLESS OTHERWISE SPECIFIED: DIMENSIONS ARE IN MILLIMETERS SURFACE FINISH: GENERAL TOLERANCES ISO 2768m		Remark: LGA FastLock socket, 360 pins, Pitch 1.27mm, matrix 19x19 Retention frame, Basic system 19			 www.e-tec.com	
Patented		Visa	Date	Drawn by	Date	Visa
DRAWN		sme	30.09.2009	sme	30.09.2009	
CHK'D						
APPV'D		sme	30.09.2009	Echelle: 3.5:1		Designed and manufactured by www.happ.ch
 The information contained in this drawing is proprietary to Etec and shall not be reproduced or disclosed in whole or in part or used for any design or manufacture except who such user possesses direct, written authorization from Etec		MATERIAL:		"E-tec code"		LCF360-1270-19AA95 A3H "Production code" LCF0360-12-09705-19AAA 0 Revision
WEIGHT:				SHEET 2 OF 2		