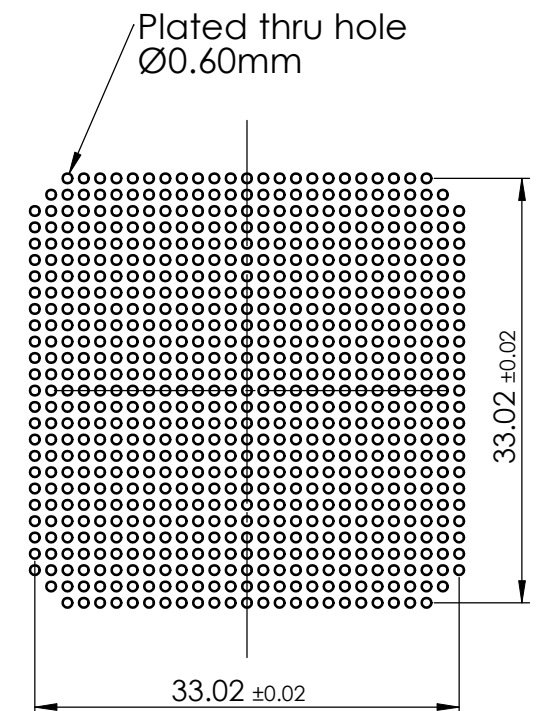
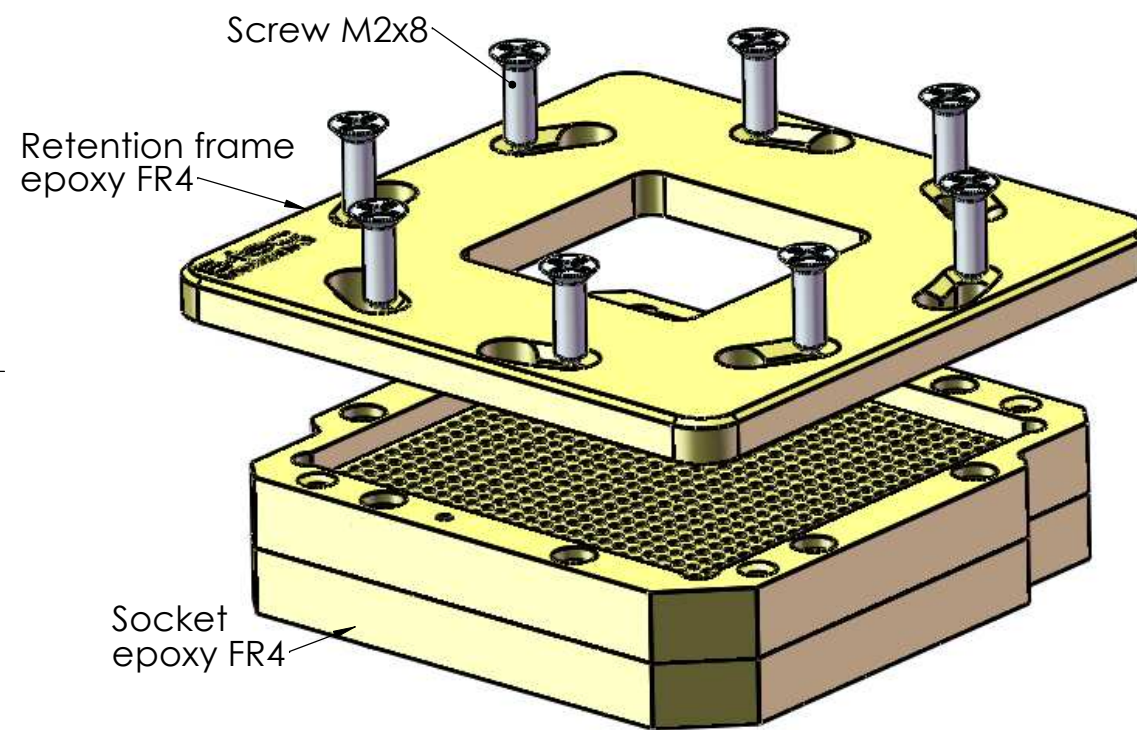
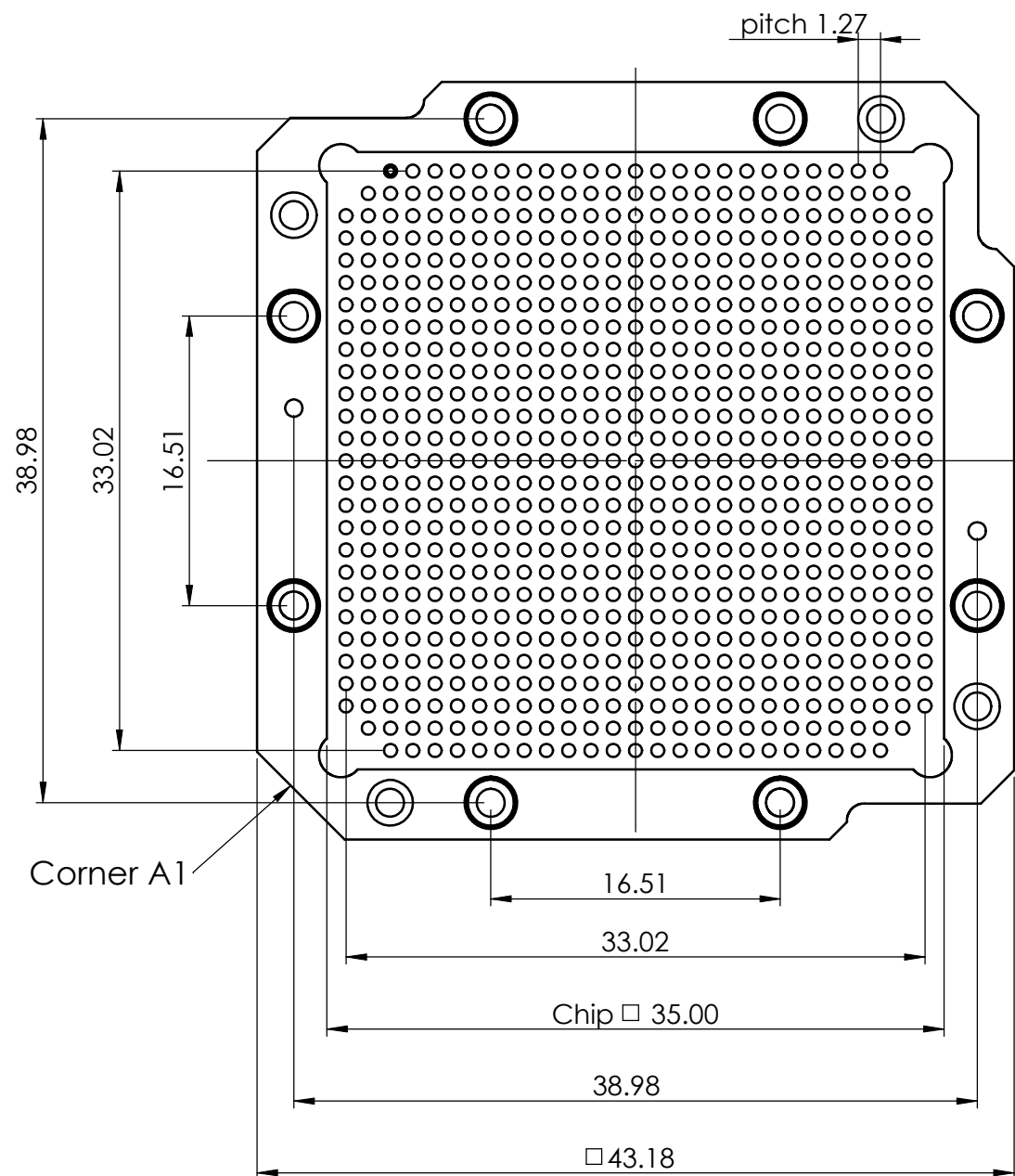


RETENTION FRAME



PCB LAYOUT

UNLESS OTHERWISE SPECIFIED: DIMENSIONS ARE IN MILLIMETERS SURFACE FINISH: GENERAL TOLERANCES ISO 2768m		Remark: CGA Twist Lock socket, 717 pins, Pitch 1.27mm, matrix 27x27 Retention frame, Basic system 27			<a href="http://www.e-tec.com">www.e-tec.com</a> Designed and manufactured by <a href="http://www.happ.ch">www.happ.ch</a>	
<b>Patented</b>	Visa	Date	Drawn by	Date	Visa	Designed and manufactured by <a href="http://www.happ.ch">www.happ.ch</a>
DRAWN	sme	11.11.2009	sme	20.05.2008		"E-tec order code"
CHK'D						<b>CCW717-1270-27AA95</b> A3H
APP'VD	sme	11.11.2009	Echelle: 2.5:1			"Production code"
			MATERIAL:			<b>CCW0717-12-09705-27AAA</b> 1
The information contained in this drawing is proprietary to Etec and shall not be reproduced or disclosed in whole or in part or used for any design or manufacture except where such user possesses direct, written authorization from Etec			WEIGHT:			Revision
						SHEET 1 OF 1