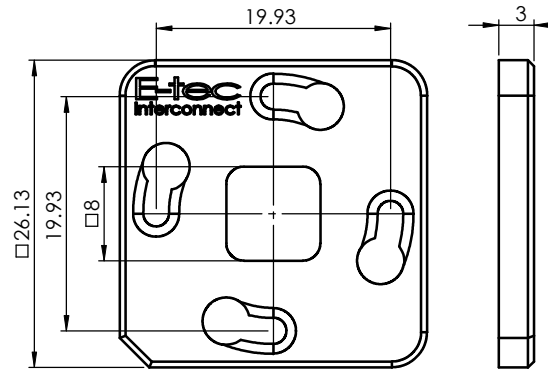
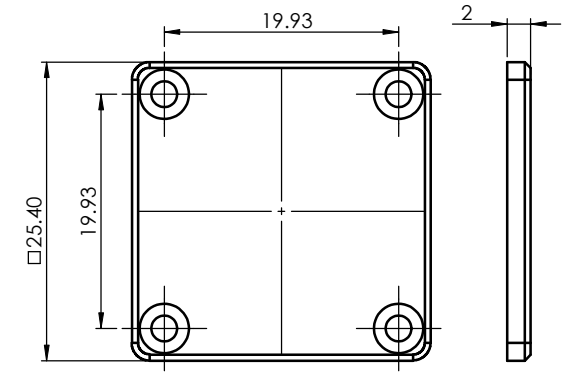


COUPE A-A



RETENTION FRAME



ASSEMBLY BOARD

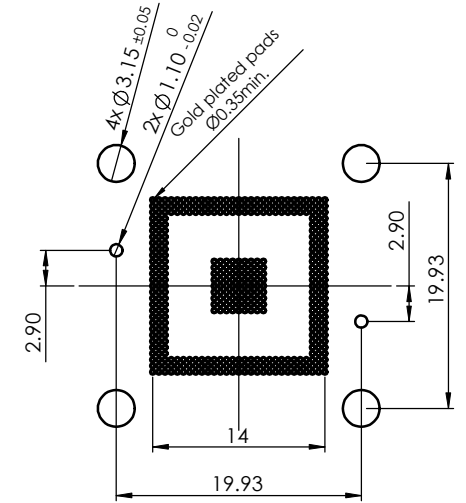
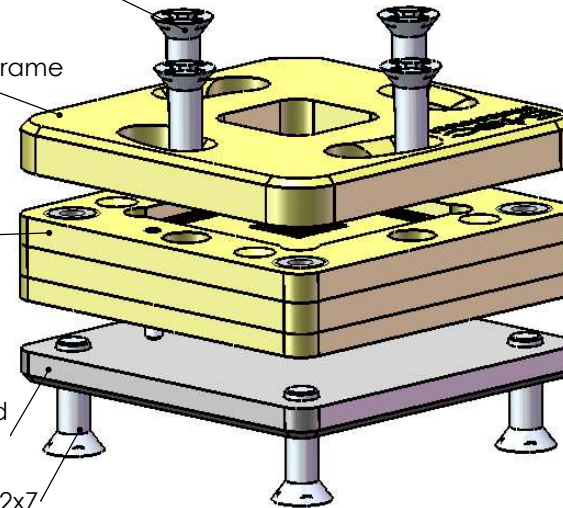
Screw M2x7 for chip
1 to 2mm thickness
without balls

Retention frame
Epoxy FR4

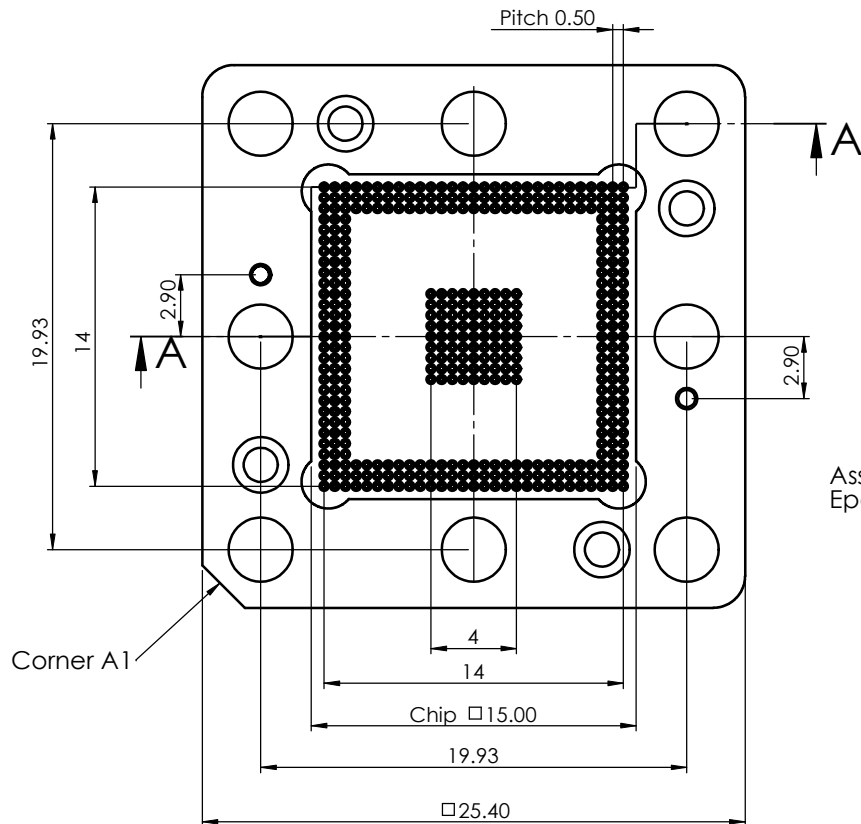
Socket
PEEK

Assembly board
Epoxy FR4

Screw M2x7



PCB LAYOUT



Corner A1

UNLESS OTHERWISE SPECIFIED: DIMENSIONS ARE IN MILLIMETERS SURFACE FINISH: GENERAL TOLERANCES: ± 0.10 LINEAR: ANGULAR:			Remark: BGA Socket solderless Pitch 0.50mm, Matrix 29x29 Basic system 12x12				
"top view drawing"			Patented			www.e-tec.com	
DRAWN	smc	10.09.2008	DATE	smc	10.09.2008	TITLE: BUP393-0590-29AA55L	
CHK'D						A3H	
APP'VD	K.S	10.09.2008	Echelle: 4:1			DWG NO. BUP0393-05-09232-29AAA-L	
			MATERIAL:			Revision 0	
The information contained in this drawing is proprietary to Happ AG and shall not be reproduced or disclosed in whole or in part or used for any design or manufacture except where such user possesses direct, written authorization from Happ AG			WEIGHT:			SHEET 1 OF 1	