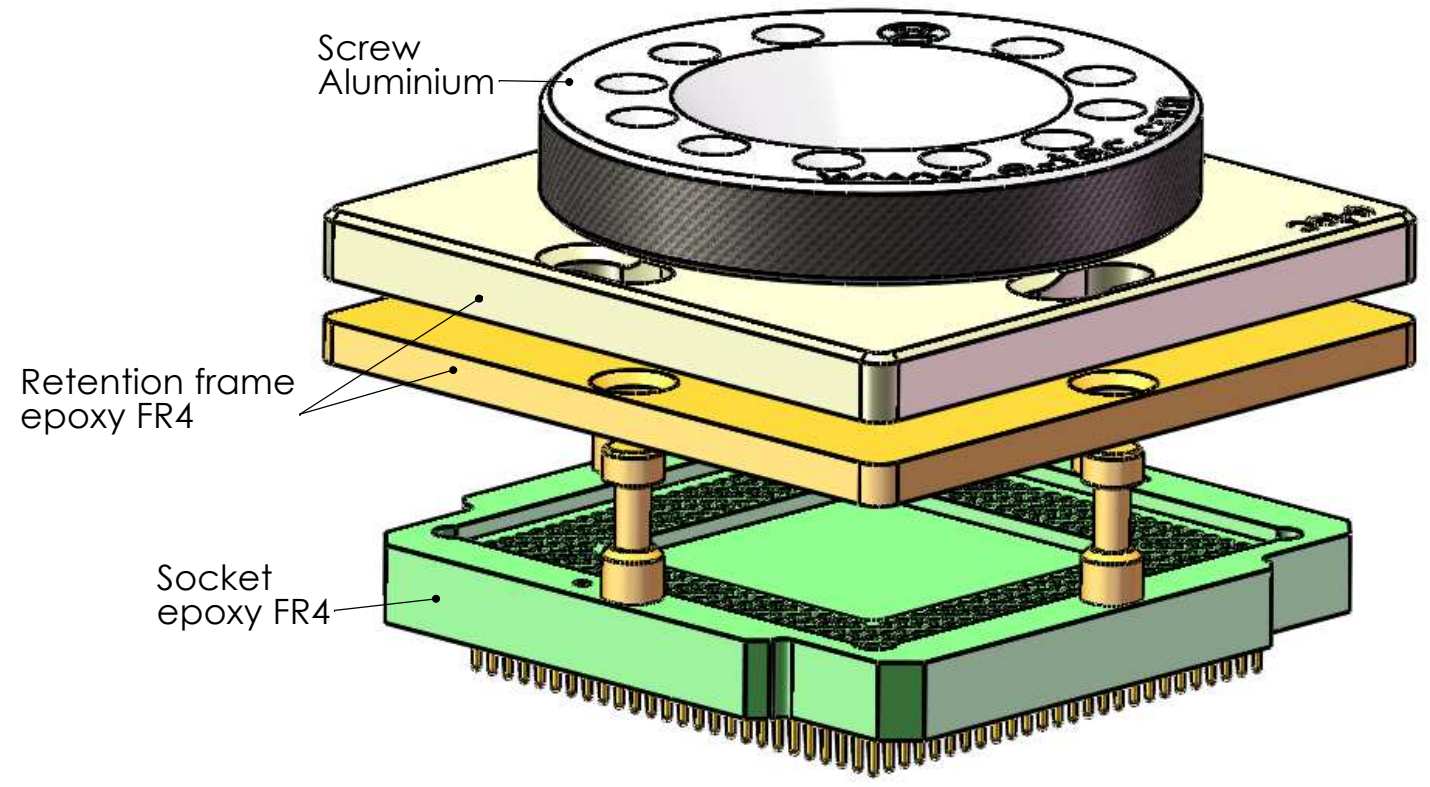
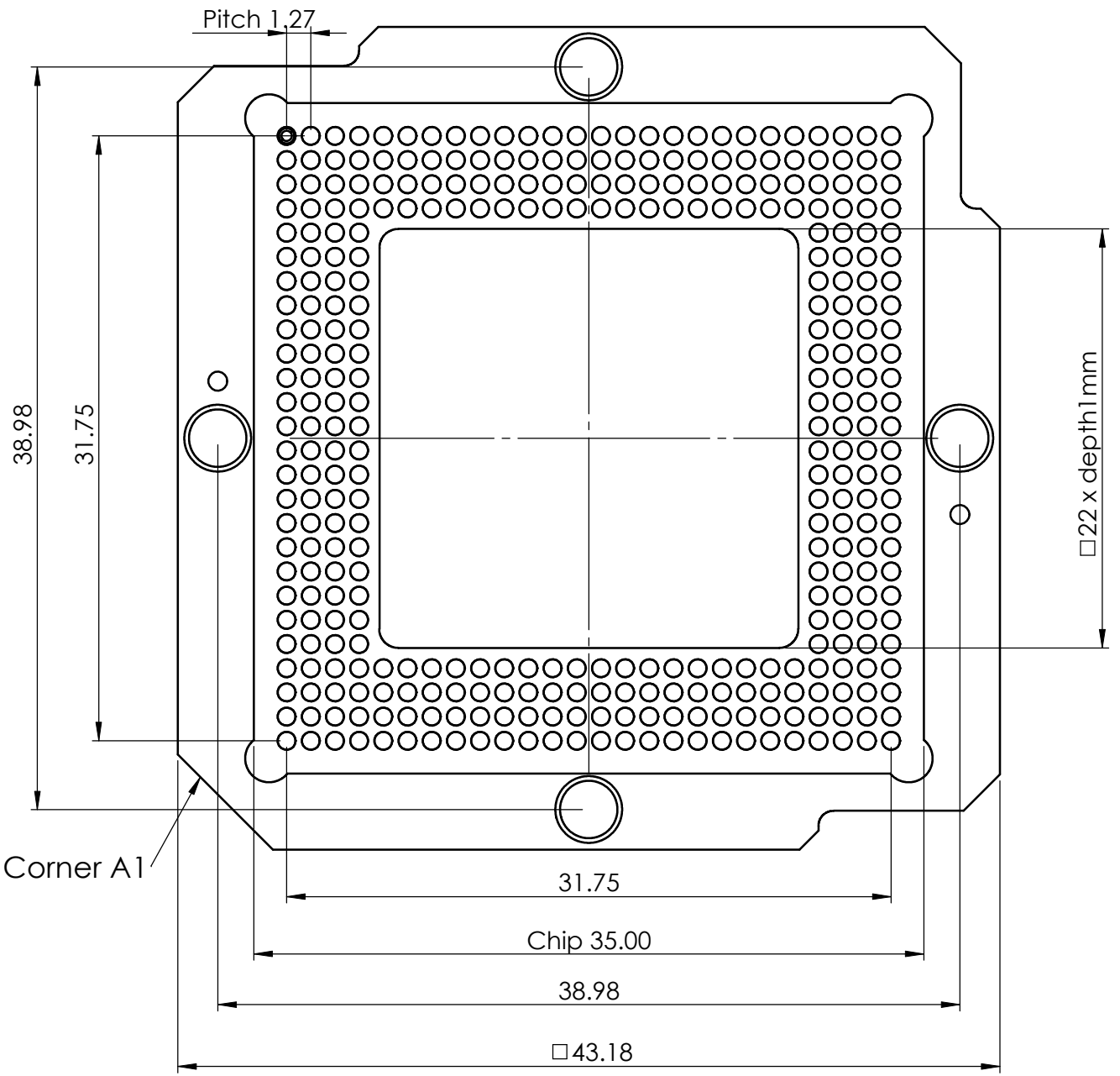


RETENTION FRAME

PCB LAYOUT



UNLESS OTHERWISE SPECIFIED: DIMENSIONS ARE IN MILLIMETERS SURFACE FINISH: GENERAL TOLERANCES ISO 2768m		Remark: BGA Twist Lock socket, 352 pins, Pitch 1.27mm, matrix 26x26 Retention frame, Basic system 27 code AB= Opening 22x22x1 on socket			E-tec Interconnect www.e-tec.com	
Patented		Visa	Date	Drawn by	Date	Visa
DRAWN		sme	30.06.2009	sme	30.06.2009	
CHK'D						
APPV'D		sme	30.06.2009	Echelle: 3:1		Designed and manufactured by www.happ.ch
				MATERIAL:		"E-tec code" BPF352-1270-26AB95 A3H
The information contained in this drawing is proprietary to Etec and shall not be reproduced or disclosed in whole or in part or used for any design or manufacture except where such user possesses direct, written authorization from Etec				WEIGHT:		"Production code" BPF0352-12-09705-26ABA 0 Revision
						SHEET 1 OF 1