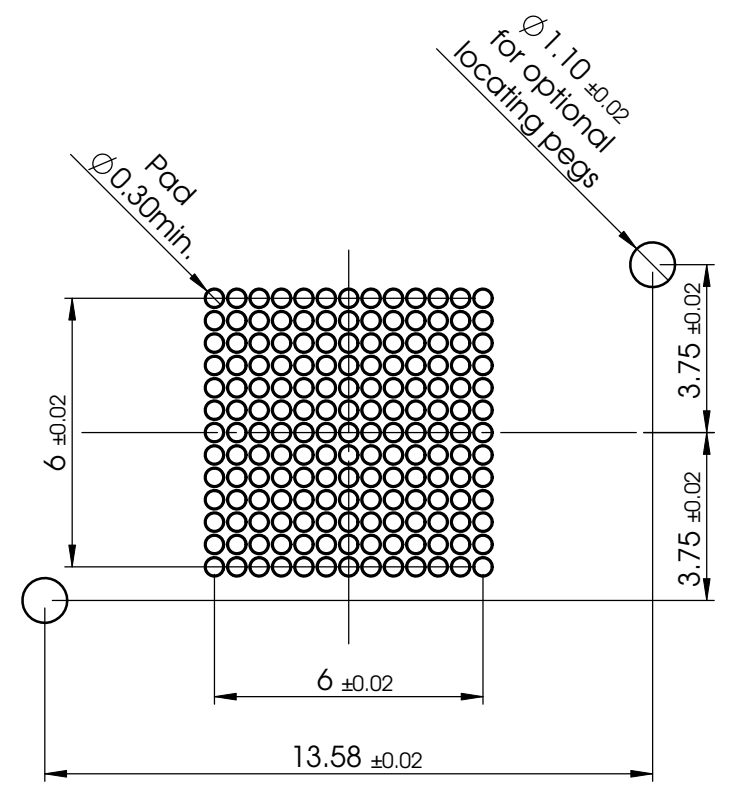
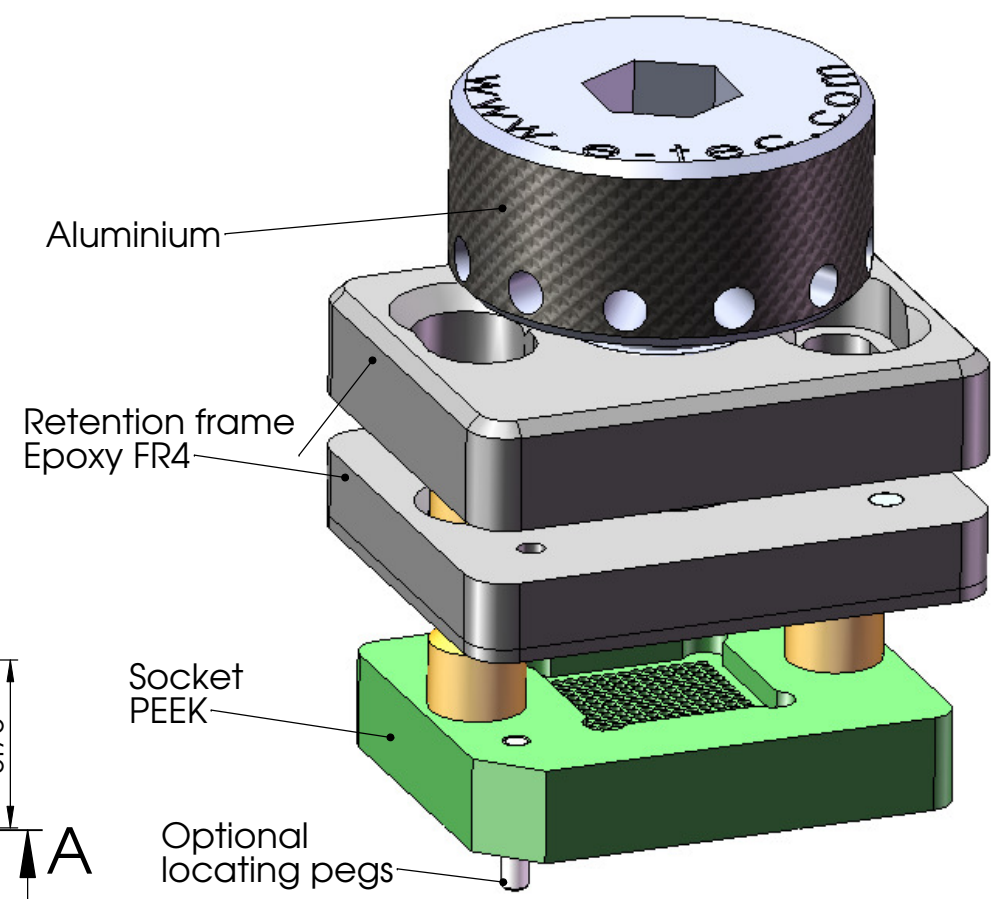
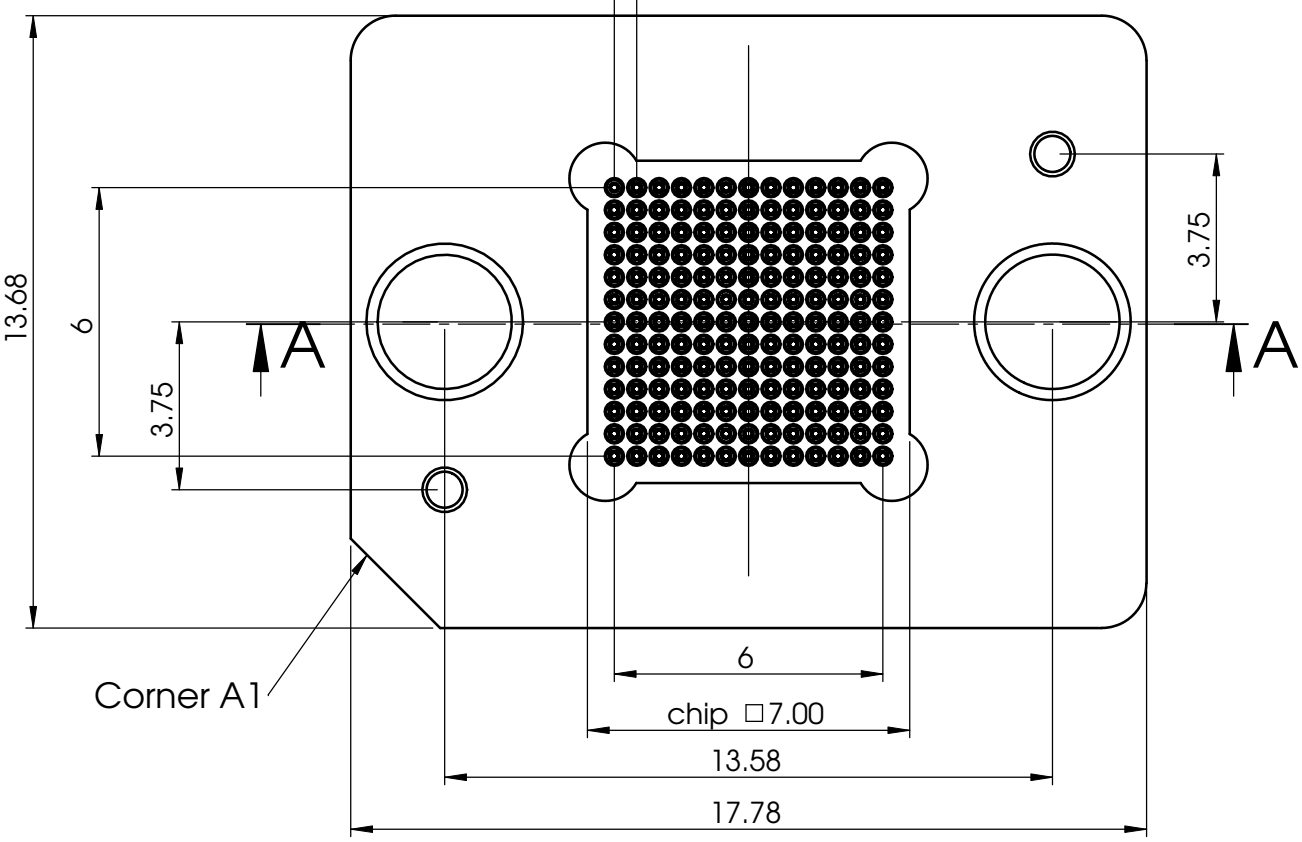


RETENTION FRAME



PCB LAYOUT

UNLESS OTHERWISE SPECIFIED: DIMENSIONS ARE IN MILLIMETERS SURFACE FINISH: GENERAL TOLERANCES: ±0.10 LINEAR: ANGULAR:		Remark: BGA Bayonet Lock socket, 169 pins, Pitch 0.50mm, matrix 13x13 Retention frame, Basic system 7				
"top view drawing"		Modification	Visa	Date	Drawn by	Date
DRAWN	0	ima		27.05.2009	ima	27.05.2009
CHK'D						
APP'V'D		K.S.		27.05.2009	Scale: 6:1	
MFG					MATERIAL:	
Q.A					WEIGHT:	
The information contained in this drawing is proprietary to E-tec and shall not be reproduced or disclosed in whole or in part or used for any design or manufacture except where such user possesses direct, written authorization from E-tec						

 www.e-tec.com		
w/o locating pegs "E-tec code"	BPF169-0530-13AA95	A3H
w/o locating pegs "Production code"	BPF0169-05-09185-13AAA	
with locating pegs "E-tec code"	BPF169-0530-13AA95L	0
with locating pegs "Production code"	BPF0169-05-09185-13AAA-L	REVISION