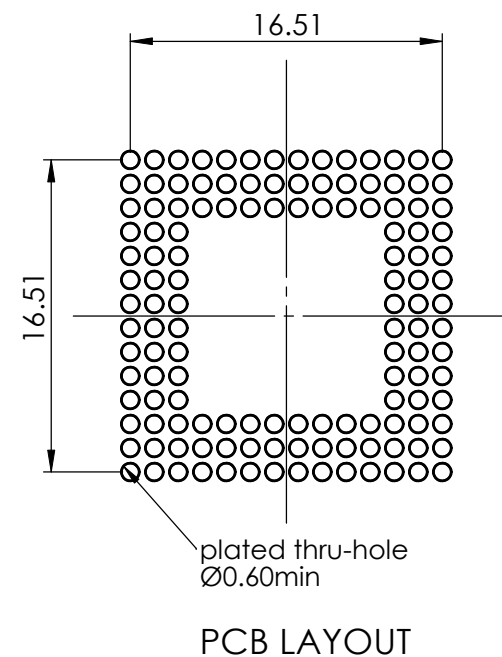
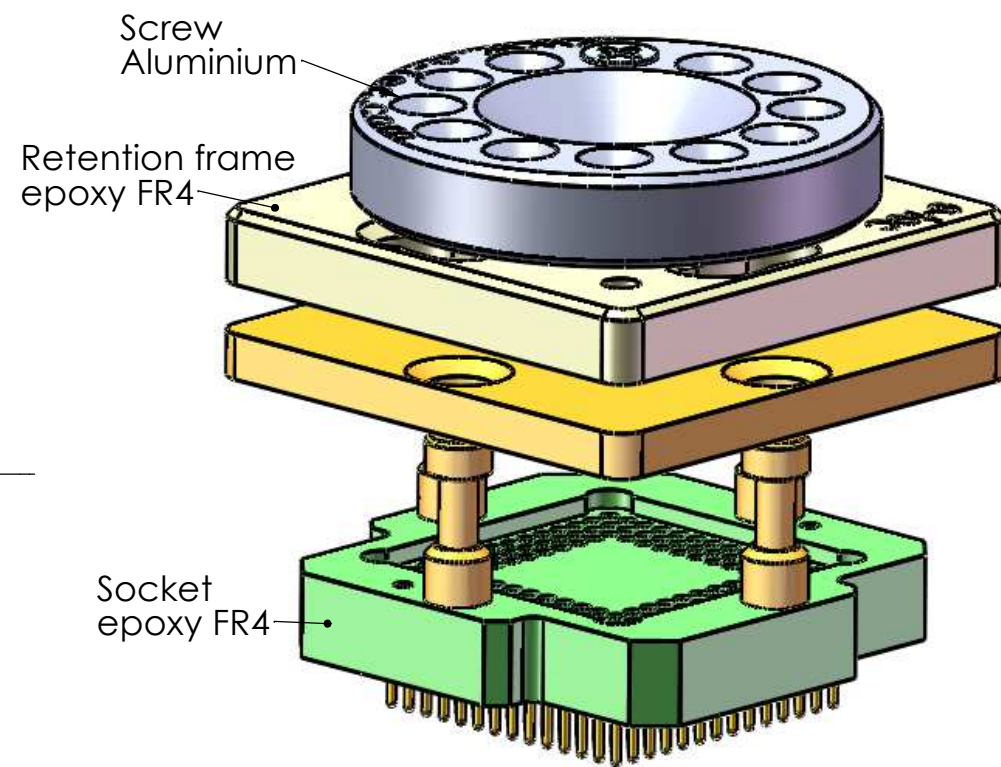
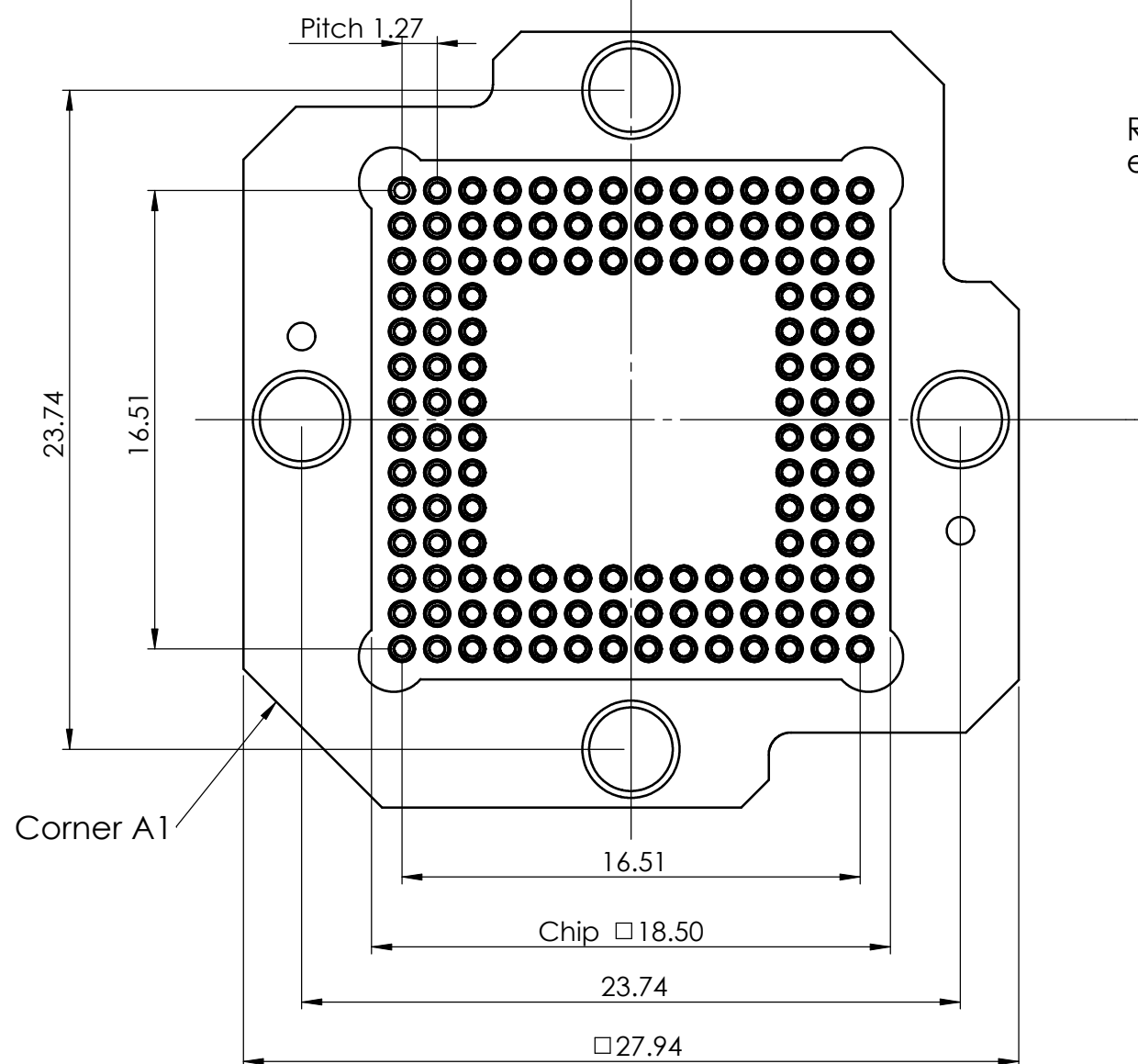

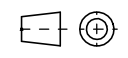


RETENTION FRAME



PCB LAYOUT

UNLESS OTHERWISE SPECIFIED: DIMENSIONS ARE IN MILLIMETERS SURFACE FINISH: GENERAL TOLERANCES ISO 2768m		Remark: BGA FastLock socket, 132 pins, Pitch 1.27mm, matrix 14x14 Retention frame, Basic system 15			 www.e-tec.com	
Patented		Visa	Date	Drawn by	Date	Visa
DRAWN		sme	08.06.2009	sme	08.06.2009	
CHK'D						
APPV'D		sme	08.06.2009	Echelle: 4:1		Designed and manufactured by www.happ.ch
		MATERIAL:		"E-tec code"		BPF132-1270-14AA95 A3H
The information contained in this drawing is proprietary to Etec and shall not be reproduced or disclosed in whole or in part or used for any design or manufacture except where such user possesses direct, written authorization from Etec		WEIGHT:		"Production code"		BPF0132-12-09705-14AAA 0 Revision
						SHEET 1 OF 1