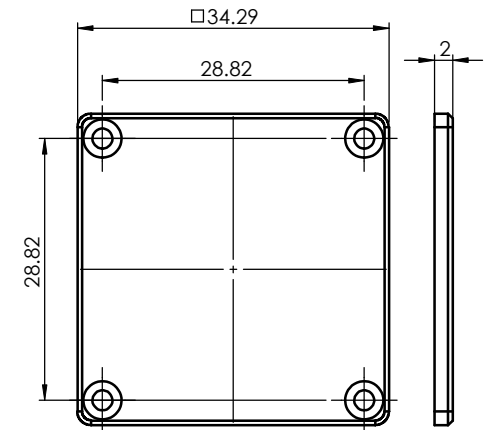
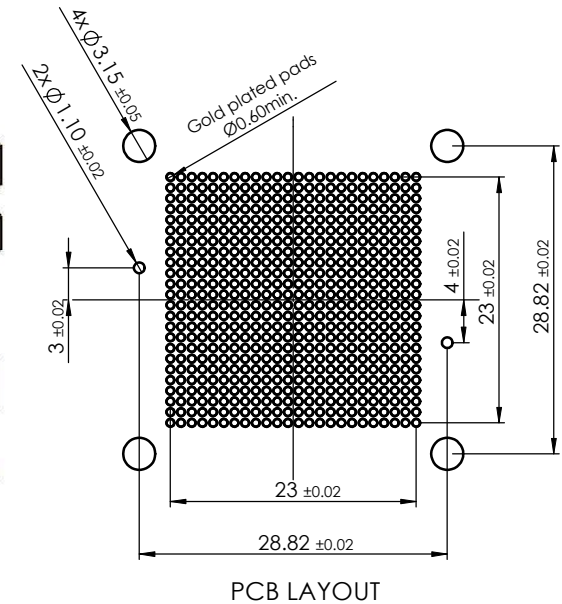
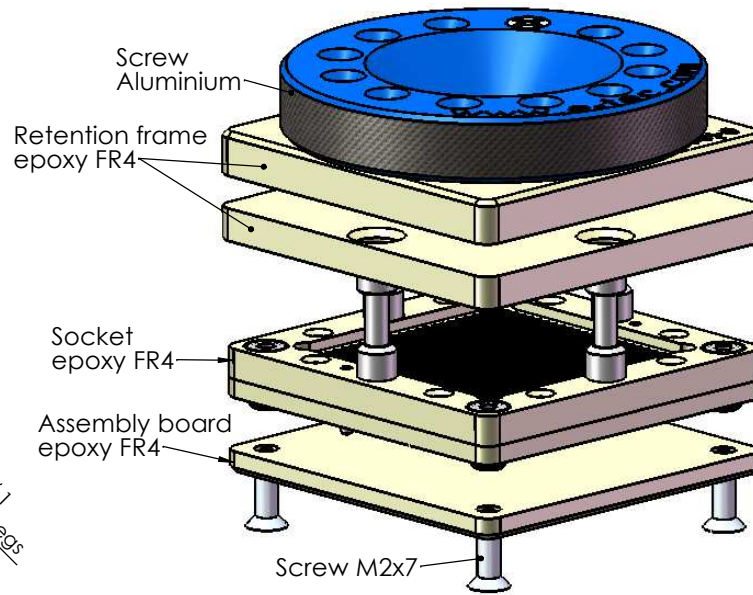
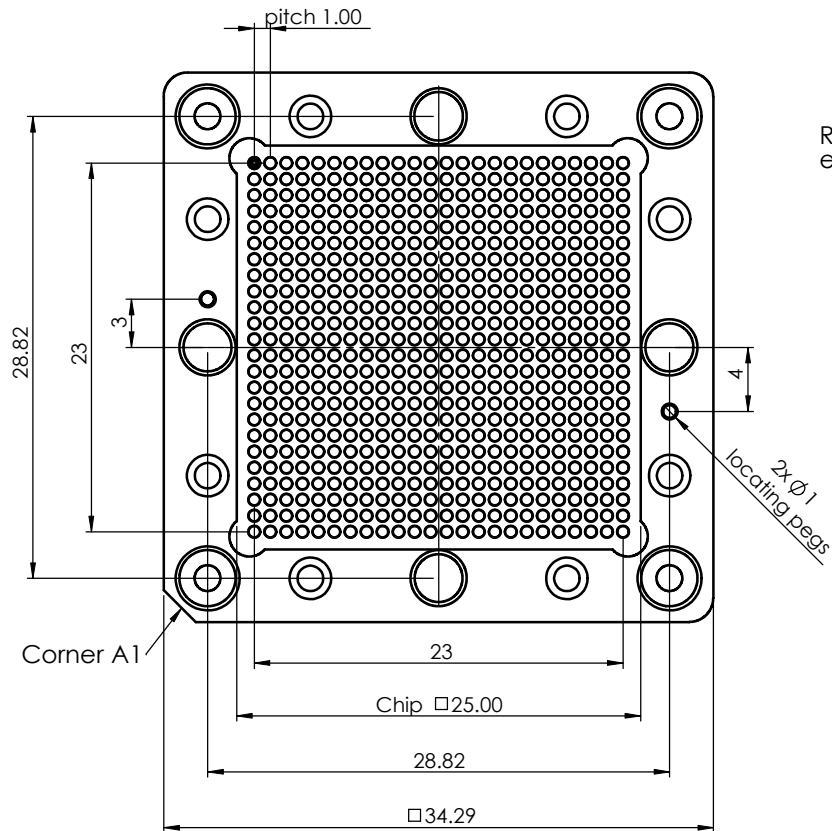


RETENTION FRAME



ASSEMBLY BOARD



PCB LAYOUT

UNLESS OTHERWISE SPECIFIED: DIMENSIONS ARE IN MILLIMETERS SURFACE FINISH: GENERAL TOLERANCES ISO 2768m		Remark: BGA FastLock socket, 576 pins, Pitch 1.00mm, matrix 24x24 Retention frame, Solderless				 www.e-tec.com Designed and manufactured by www.happ.ch "E-tec order code" BPF576-1090-24AA55L A3H "Production code" BPF0576-10-09542-24AAA-L 0 Revision	
Patented	Visa	Date	Drawn by	Date	Visa	Echelle: 3:1	
DRAWN	sme	27.08.2010	sme	27.08.2010			
CHK'D							
APP'VD	sme	27.08.2010				MATERIAL:	
The information contained in this drawing is proprietary to Etec and shall not be reproduced or disclosed in whole or in part or used for any design or manufacture except where such user possesses direct, written authorization from Etec		WEIGHT:					