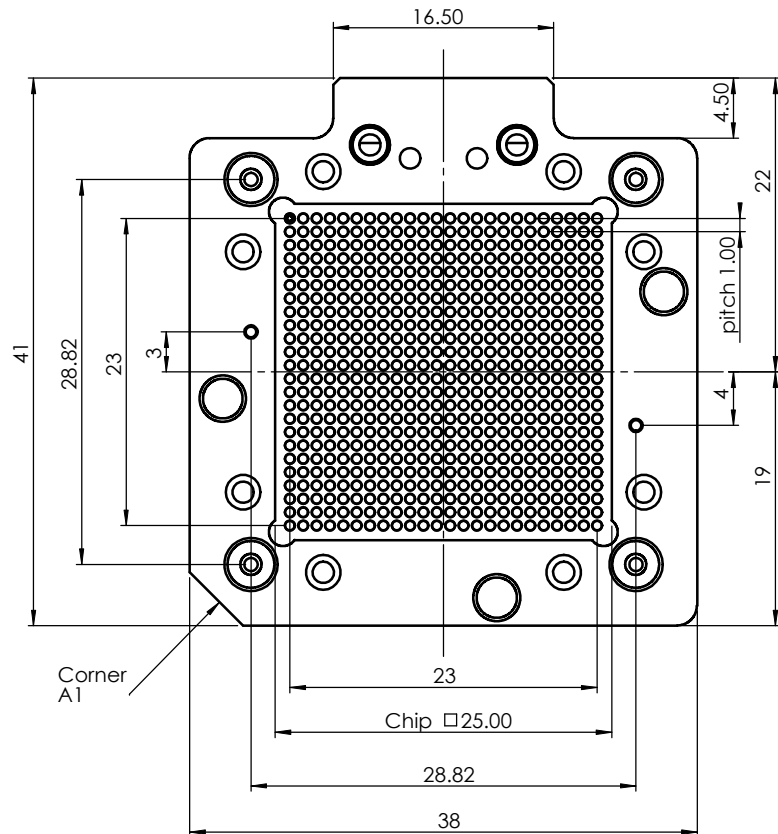
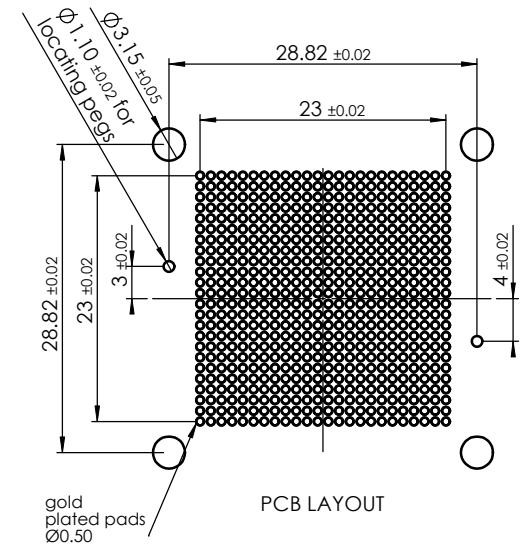
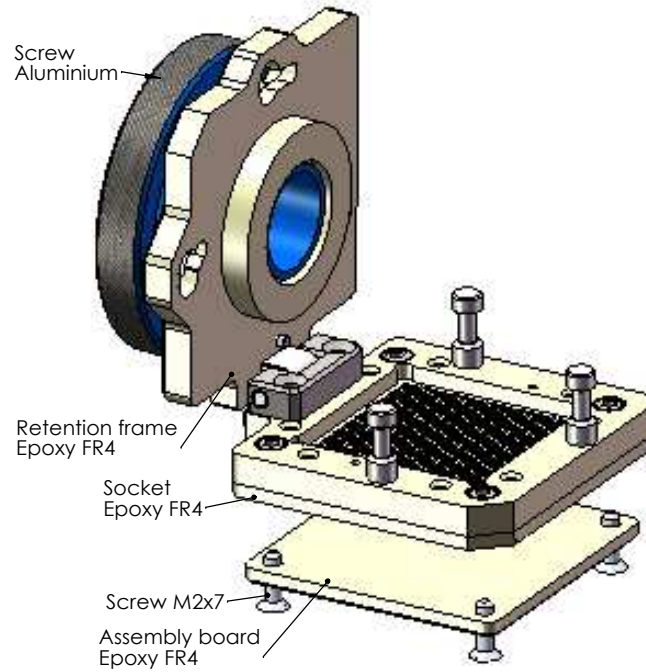


RETENTION FRAME

ASSEMBLY BOARD



Corner A1



PCB LAYOUT

UNLESS OTHERWISE SPECIFIED: DIMENSIONS ARE IN MILLIMETERS SURFACE FINISH: GENERAL TOLERANCES ISO 2768m		Remark: BGA Economic Clamshell socket, 576 pins, Pitch 1.00mm, matrix 24x24 Retention frame, Solderless				 www.e-tec.com Interconnect Designed and manufactured by www.happ.ch "E-tec order code" <b>BPE576-1090-24AA55L</b>	A3H
Patented	Visa	Date	Drawn by	Date	Visa		
DRAWN	sme	27.08.2010	sme	27.08.2010		"Production code" BPE0576-10-09542-24AAA-L	0 Revision
CHK'D							
APP'VD	sme	27.08.2010	Echelle: 2.5:1				
The information contained in this drawing is proprietary to Etec and shall not be reproduced or disclosed in whole or in part or used for any design or manufacture except where such user possesses direct, written authorization from Etec		MATERIAL:		WEIGHT:		SHEET 1 OF 1	